

# Connecting cables for valves, socket plug pattern H



Festo Core Range  
Solves the majority of your automation tasks

With the Festo Core Range, we have selected the most important products and functions from our broad product catalogue, and added the quickest delivery.

Worldwide: Quickest delivery – wherever, whenever  
Simply good: Expected high Festo quality  
Fast: Easy and fast to select

The Core Range offers you the best value for your automation tasks.



## Connecting cables for valves, socket plug pattern H

### Type codes

<b>001</b>	<b>Series</b>
<b>NEBV</b>	Connecting cable for valves

<b>002</b>	<b>Product version</b>
	Standard
<b>C</b>	Easy-to-clean design

<b>003</b>	<b>Connection technology left, field device side</b>
<b>A1</b>	Socket type A, EN 175301-803
<b>B2</b>	Socket type B, industry standard, 11 mm
<b>C1S</b>	Socket type C, narrow design
<b>Z4</b>	Socket connection pattern ZC, metric screw
<b>Z3</b>	Socket connection pattern ZC, self-tapping screw
<b>M8</b>	Socket M8x1 A-coded, EN 61076-2-104
<b>M12</b>	Socket M12x1 A-coded, EN 61076-2-101
<b>S1</b>	Sub-D socket
<b>S7</b>	Sub-D HD socket
<b>H1</b>	Socket connection pattern H
<b>Q7</b>	Port pattern Q7 socket
<b>HS</b>	Socket connection pattern S

<b>004</b>	<b>Cable outlet left</b>
	None
<b>G</b>	Straight
<b>W</b>	Angled
<b>WA</b>	Angled 45°

<b>005</b>	<b>Number of pins/wires on the left</b>
<b>2</b>	2
<b>3</b>	3
<b>4</b>	4
<b>8</b>	8
<b>9</b>	9
<b>15</b>	15
<b>25</b>	25
<b>37</b>	37
<b>44</b>	44

<b>006</b>	<b>Display</b>
	None
<b>F</b>	LED signal status, AC
<b>L</b>	LED signal status, DC
<b>N</b>	LED switching state, NPN
<b>P</b>	LED switching state, PNP
<b>U</b>	LED, UC

<b>007</b>	<b>Additional socket functions</b>
	None
<b>HL</b>	Hood for MPA-L
<b>HM</b>	Hood for MPA-S
<b>HS</b>	With seal

<b>008</b>	<b>Circuitry</b>
	None
<b>P</b>	Protective circuit
<b>R</b>	Holding current reduction with integrated protective circuit

<b>009</b>	<b>Cable characteristic</b>
<b>P</b>	Basic
<b>K</b>	Standard
<b>E</b>	Suitable for energy chains
<b>F</b>	Food-safe to standard

<b>010</b>	<b>Cable design</b>
	Standard
<b>M</b>	Alternative material
<b>N</b>	Leads
<b>D</b>	Double cable

<b>011</b>	<b>Cable length [m]</b>
<b>0.1</b>	0.1
<b>0.2</b>	0.2
<b>0.3</b>	0.3
<b>0.5</b>	0.5
<b>0.6</b>	0.6
<b>1</b>	1
<b>2</b>	2
<b>2.5</b>	2.5
<b>3</b>	3
<b>5</b>	5
<b>10</b>	10

<b>012</b>	<b>Cable identification</b>
	With label holder
<b>N</b>	Without label holder

<b>013</b>	<b>Connection technology right, controller side</b>
<b>M8</b>	Plug M8x1 A-coded, EN 61076-2-104
<b>M12</b>	Plug M12x1 A-coded, EN 61076-2-101
<b>Z1</b>	Port pattern ZB plug, self-tapping screw
<b>LE</b>	Open end

<b>014</b>	<b>Plug</b>
	None
<b>G</b>	Straight
<b>W</b>	Angled

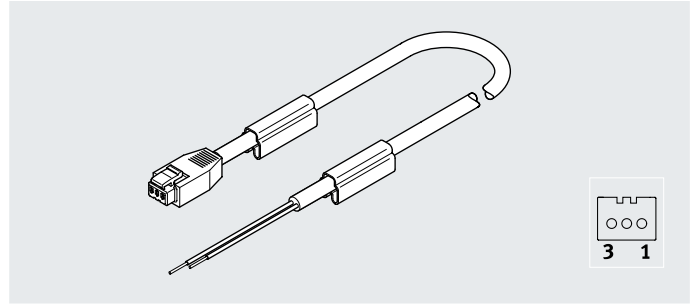
<b>015</b>	<b>Number of pins/wires on the right</b>
<b>2</b>	2
<b>3</b>	3
<b>4</b>	4
<b>5</b>	5
<b>10</b>	10
<b>15</b>	15
<b>25</b>	25
<b>26</b>	26
<b>27</b>	27
<b>36</b>	36
<b>37</b>	37
<b>39</b>	39
<b>44</b>	44

<b>016</b>	<b>Degree of protection, electrical system</b>
	Standard
<b>S6</b>	IP40
<b>S1</b>	IP65
<b>S9</b>	IP65/IP67
<b>S10</b>	IP65/IP67/IP69K

Data sheet

Connecting cable NEBV-H1G2

- Connecting cable
- Pre-assembled at one end
- For connecting valves
- Cable lengths 0.5 ... 5 m



General technical data	
Cable designation	Without inscription label holder

Technical data – Electrical connection 1	
Function	Field device side
Connection type	Socket
Cable outlet	Straight
Design	Rectangular
Connection technology	Plug pattern H
Number of pins/wires	3
Assigned pins/wires	2
Type of mounting	Snap-locking

Technical data – Electrical connection 2		
Type	NEBV-H1G2-KN	NEBV-H1G2-P
Function	Controller side	
Connection type	2x single wires	Cable
Connection technology	Open end	
Number of pins/wires	2	
Assigned pins/wires	2	
Wire ends	Cut off bluntly	Cut off bluntly
	–	Stripped

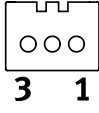
Technical data – Electrical components		
Operating voltage range	[V DC]	0 ... 60
Current rating at 40°C	[A]	3

Technical data – Cable			
Type		NEBV-H1G2-KN	NEBV-H1G2-P
Cable diameter	[mm]	1.3	3.4
Cable composition	[mm <sup>2</sup> ]	2x0.14	2x0.14
Nominal conductor cross section	[mm <sup>2</sup> ]	0.14	0.14
Cable characteristic		Standard	For static applications

Materials		
Type	NEBV-H1G2-KN	NEBV-H1G2-P
Housing	POM	POM
Housing colour	Black	Black
Pin contacts	Tin-plated copper alloy	Tin-plated copper alloy
Cable sheath	–	TPE-U(PUR)
Cable sheath colour	–	Grey
Insulating sheath	PVC	PVC
Note on materials	RoHS-compliant	RoHS-compliant

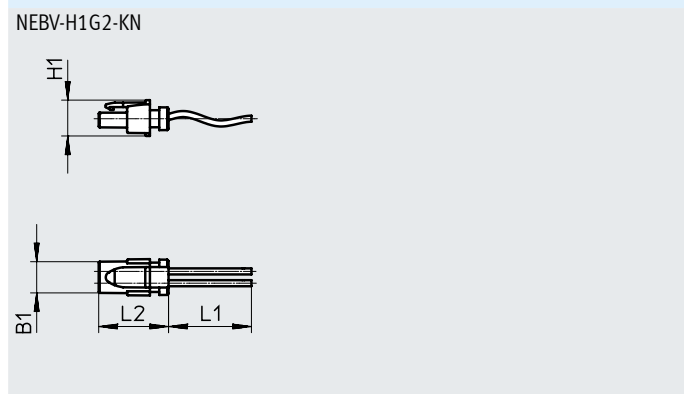
## Data sheet

Operating and environmental conditions	
Ambient temperature [°C]	-5 ... +60
Degree of protection	IP40
Note on degree of protection	In assembled state

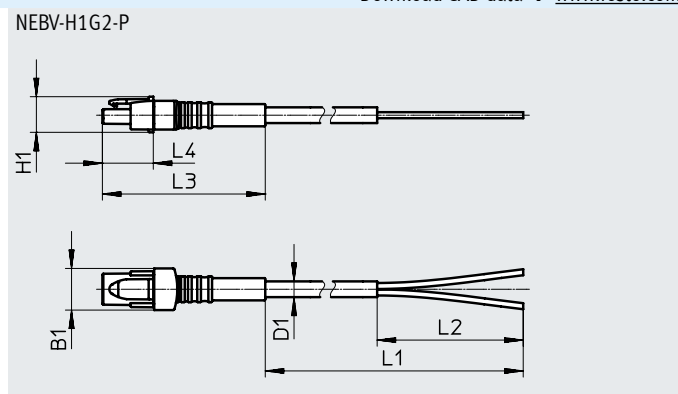
Circuitry (socket view)				
Electrical connection 1	Pin	Wire colour <sup>1)</sup>	Pin	Electrical connection 2
	1	RD	-	-
	3	BK	-	-

1) To IEC 757

### Dimensions Download CAD data → [www.festo.com](http://www.festo.com)



Type	B1	H1	L1	L2
NEBV-H1G2-KN-0.5-N-LE2	8.3	8.4	500	13
NEBV-H1G2-KN-1-N-LE2			1000	
NEBV-H1G2-KN-2.5-N-LE2			2500	
NEBV-H1G2-KN-5-N-LE2			5000	



Type	B1	D1	H1	L1	L2	L3	L4
NEBV-H1G2-P-0.5-N-LE2	9	3.4	8.4	500	50	33.2	9
NEBV-H1G2-P-1-N-LE2				1000			
NEBV-H1G2-P-2.5-N-LE2				2500			
NEBV-H1G2-P-5-N-LE2				5000			

### ★ Core product range

Electrical connection 1	Electrical connection 2, connection type	Cable length [m]	Weight [g]	Part no.	Type
Straight socket, 2-pin	2x single wires	0.5	4	★ 566654	NEBV-H1G2-KN-0.5-N-LE2
		1	7	★ 566655	NEBV-H1G2-KN-1-N-LE2
		2.5	17	★ 566656	NEBV-H1G2-KN-2.5-N-LE2
	Cable, 2-wire	0.5	8	★ 566658	NEBV-H1G2-P-0.5-N-LE2
		1	16	★ 566659	NEBV-H1G2-P-1-N-LE2
		2.5	35	★ 566660	NEBV-H1G2-P-2.5-N-LE2

Electrical connection 1	Electrical connection 2, connection type	Cable length [m]	Weight [g]	Part no.	Type
Straight socket, 2-pin	2x single wires	5	31	566657	NEBV-H1G2-KN-5-N-LE2
	Cable, 2-wire	5	70	566661	NEBV-H1G2-P-5-N-LE2

Ordering data – Modular product system

Ordering table		Conditions	Code	Enter code
Module no.	<b>8003577</b>			
Connecting cable	Connecting cables for valves		<b>NEBV</b>	NEBV
Connection technology on the left, field device side	Socket plug pattern H		<b>-H1</b>	-H1
Cable outlet on the left	Straight		<b>G</b>	G
Number of pins/wires on the left	2-pin		<b>2</b>	2
Display	None			
Circuitry	None			
Cable characteristic	Basic	[1]	<b>-P</b>	
	Standard	[2]	<b>-K</b>	
Cable design	Standard			
	Flying leads		<b>N</b>	
Cable length	[m] 0.5		<b>-0.5</b>	
	[m] 1.0		<b>-1</b>	
	[m] 2.5		<b>-2.5</b>	
	[m] 5.0		<b>-5</b>	
Cable designation	Without inscription label holder		<b>-N</b>	-N
Connection technology on the right, controller side	Open end		<b>-LE</b>	-LE
Cable outlet on the right	None			
Number of pins/wires on the right	2-pin		<b>2</b>	2

[1] **-P** Only with cable design 'standard'  
 [2] **-K** Only with cable design 'flying leads'