

Type codes

001	Series	
NEBV	Connecting cable for valves	

002	Product version	
	Standard	
C	Easy-to-clean design	

003	Connection technology left, field device side	
A1	Socket type A, EN 175301-803	
B2	Socket type B, industry standard, 11 mm	
C1S	Socket type C, narrow design	
Z4	Socket connection pattern ZC, metric screw	
Z3	Socket connection pattern ZC, self-tapping screw	
M8	Socket M8x1 A-coded, EN 61076-2-104	
M12	Socket M12x1 A-coded, EN 61076-2-101	
S1	Sub-D socket	
S7	Sub-D HD socket	
H1	Socket connection pattern H	
Q7	Port pattern Q7 socket	
HS	Socket connection pattern S	

004	Cable outlet left	
	None	
G	Straight	
W	Angled	
WA	Angled 45°	

005	Number of pins/wires on the left	
2	2	
3	3	
4	4	
8	8	
9	9	
15	15	
25	25	
37	37	
44	44	

006	Display	
	None	
F	LED signal status, AC	
L	LED signal status, DC	
N	LED switching state, NPN	
P	LED switching state, PNP	
U	LED, UC	

007	Additional socket functions	
	None	
HL	Hood for MPA-L	
HM	Hood for MPA-S	
HS	With seal	

008	Circuitry	
	None	
P	Protective circuit	
R	Holding current reduction with integrated protective circuit	

009	Cable characteristic	
P	Basic	
K	Standard	
E	Suitable for energy chains	
F	Food-safe to standard	

010	Cable design	
	Standard	
M	Alternative material	
N	Leads	
D	Double cable	

011	Cable length [m]	
0.1	0.1	
0.2	0.2	
0.3	0.3	
0.5	0.5	
0.6	0.6	
1	1	
2	2	
2.5	2.5	
3	3	
5	5	
10	10	

012	Cable identification	
	With label holder	
N	Without label holder	

013	Connection technology right, controller side	
M8	Plug M8x1 A-coded, EN 61076-2-104	
M12	Plug M12x1 A-coded, EN 61076-2-101	
Z1	Port pattern ZB plug, self-tapping screw	
LE	Open end	

014	Plug	
	None	
G	Straight	
W	Angled	

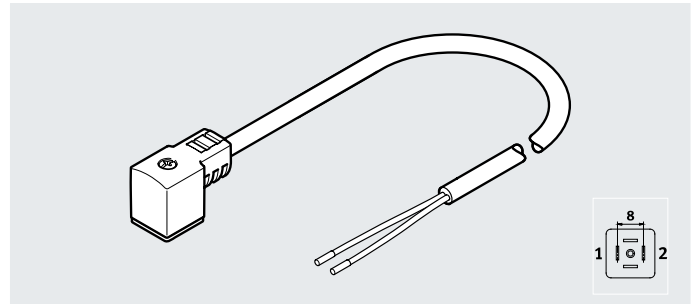
015	Number of pins/wires on the right	
2	2	
3	3	
4	4	
5	5	
10	10	
15	15	
25	25	
26	26	
27	27	
36	36	
37	37	
39	39	
44	44	

016	Degree of protection, electrical system	
	Standard	
S6	IP40	
S1	IP65	
S9	IP65/IP67	
S10	IP65/IP67/IP69K	

Datasheet

Connecting cable NEBV-C1SW2

- Connecting cable
- Pre-assembled at one end
- For connecting valves
- Cable lengths 0.5 ... 30 m



General technical data	
Cable designation	Without inscription label holder

Technical data – Electrical connection 1	
Function	Field device side
Connection type	Socket, narrow
Cable outlet	Angled
Note on cable outlet	180° rotatable
Design	Rectangular
Connection technology	Plug pattern type C to EN 175301 803
Number of pins/wires	4
Assigned pins/wires	2
Type of mounting	On solenoid valve with M2.5 central screw
Signal status indication	Yellow LED
Additional functions	Protective circuit

Technical data – Electrical connection 2	
Function	Controller side
Connection type	Cable
Connection technology	Open end
Number of pins/wires	2
Assigned pins/wires	2

Technical data – Electrics		
Nominal operating voltage	[V DC]	24
Operating voltage range	[V DC]	20.4 ... 26.4
Surge resistance	[kV]	2.4
Acceptable current load at 40°C	[A]	6
Pollution degree		3
Contact durability		50
Reverse polarity protection		Bipolar
Protective earth connection		Not provided

Datasheet

Technical data – Cable		
Cable diameter	[mm]	5.2
Cable diameter tolerance	[mm]	±0.1
Cable composition	[mm ²]	2x0.75
Nominal conductor cross section	[mm ²]	0.75
Cable characteristic		Standard
Bending radius, flexible cable installation	[mm]	≥52
Cable test conditions		Test conditions on request

Materials	
Housing	TPE-U(PU)
Housing colour	Black
Screws	Stainless steel
Seals	HNBR
Pin contacts	Tin-plated copper alloy
Cable sheath	PVC
Cable sheath colour	Grey
Insulating sheath	PVC
Note on materials	RoHS-compliant

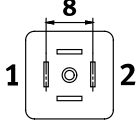
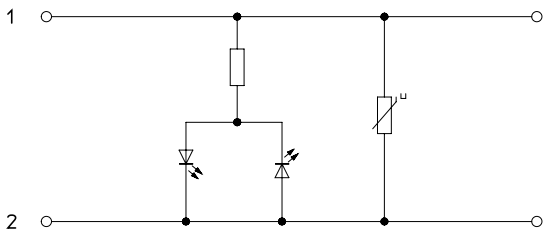
Operating and environmental conditions		
Ambient temperature	[°C]	-20 ... +70
Ambient temperature with flexible cable installation	[°C]	-5 ... +70
Degree of protection		IP65
		IP67
Note on degree of protection		In assembled state
Corrosion resistance class CRC ¹⁾		3
CE marking (see declaration of conformity) ²⁾		To EU RoHS Directive

1) Corrosion resistance class CRC 3 to Festo standard FN 940070

High corrosion stress. Outdoor exposure under moderate corrosive conditions. Externally visible parts with primarily functional surface requirements which are in direct contact with a normal industrial environment.

2) Additional information: www.festo.com/catalogue/... → Support/Downloads.

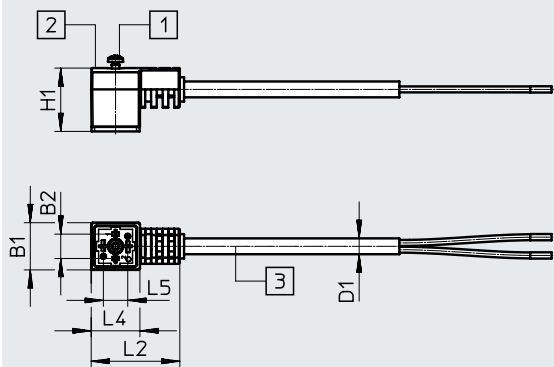
Datasheet

Circuitry (socket/plug view)		Circuitry	Wire colour ¹⁾	Electrical connection 2
Electrical connection 1	Pin			
	1		BK	Open end
	2		BK	Open end

1) To IEC 757

Dimensions

Download CAD data → www.festo.com



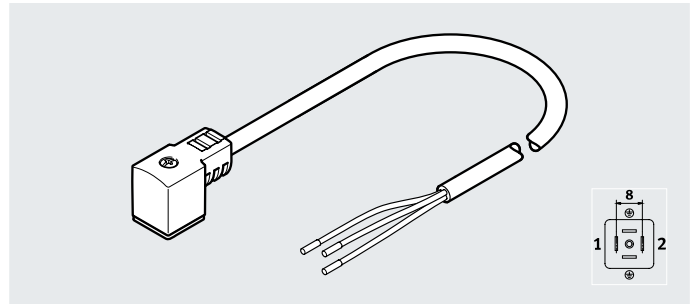
- [1] Retaining screw M3
- [2] Signal status indication
- [3] Cable, length 0.5 ... 30 m depending on the order

Type	B1	B2	D1	H1	L2	L4	L5
NEBV-C1SW2L-...-S9	15.5	8	5.2	20.8	29	16	8

Datasheet

Connecting cable NEBV-C1SW3

- Connecting cable
- Pre-assembled at one end
- For connecting valves
- Cable lengths 0.5 ... 30 m



General technical data

Cable designation	Without inscription label holder
-------------------	----------------------------------

Technical data – Electrical connection 1

Function	Field device side
Connection type	Socket, narrow
Cable outlet	Angled
Note on cable outlet	180° rotatable
Design	Rectangular
Connection technology	Plug pattern type C to EN 175301 803
Number of pins/wires	4
Assigned pins/wires	4
Type of mounting	On solenoid valve with M2.5 central screw

Technical data – Electrical connection 2

Function	Controller side
Connection type	Cable
Connection technology	Open end
Number of pins/wires	3
Assigned pins/wires	3

Technical data – Electrics

Operating voltage range	[V DC]	0 ... 230
	[V AC]	0 ... 230
Surge resistance	[kV]	4
Acceptable current load at 40°C	[A]	6
Pollution degree		3
Contact durability		50
Reverse polarity protection		Bipolar
Protective earth connection		Available

Datasheet

Technical data – Cable		
Cable diameter	[mm]	5.2
Cable diameter tolerance	[mm]	±0.1
Cable composition	[mm ²]	3x0.5
Nominal conductor cross section	[mm ²]	0.5
Cable characteristic		Standard
Bending radius, flexible cable installation	[mm]	≥52
Cable test conditions		Test conditions on request

Materials	
Housing	TPE-U(PU)
Housing colour	Black
Screws	Stainless steel
Seals	HNBR
Pin contacts	Tin-plated copper alloy
Cable sheath	PVC
Cable sheath colour	Grey
Insulating sheath	PVC
Note on materials	RoHS-compliant

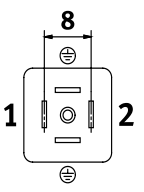


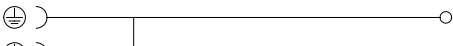

Operating and environmental conditions		
Ambient temperature	[°C]	-20 ... +70
Ambient temperature with flexible cable installation	[°C]	-5 ... +70
Degree of protection		IP65 IP67
Note on degree of protection		In assembled state
Corrosion resistance class CRC ¹⁾		3
CE marking (see declaration of conformity) ²⁾		To EU Low Voltage Directive To EU RoHS Directive

1) Corrosion resistance class CRC 3 to Festo standard FN 940070

High corrosion stress. Outdoor exposure under moderate corrosive conditions. Externally visible parts with primarily functional surface requirements which are in direct contact with a normal industrial environment.

2) Additional information: www.festo.com/catalogue/... → Support/Downloads.

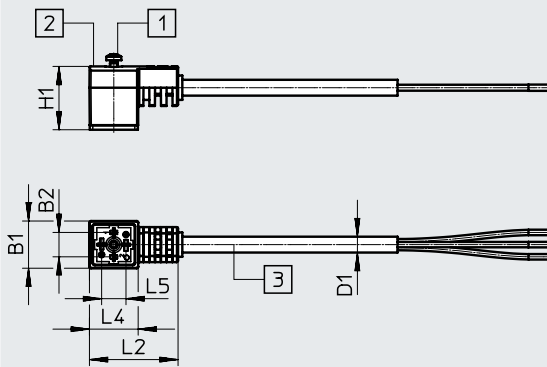
Datasheet

Circuitry (socket/plug view)		Circuitry	Wire colour ¹⁾	Electrical connection 2
Electrical connection 1	Pin			
	1		BK	Open end
	2		BK	Open end
	GND		PE	Open end
	GND			

1) To IEC 757

Dimensions

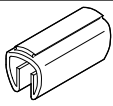
Download CAD data → www.festo.com



- [1] Retaining screw M2.5
- [2] LED display field depending on order
- [3] Cable, length 0.5 ... 30 m depending on the order

Type	B1	B2	D1	H1	L2	L4	L5
NEBV-C1SW3-...S9	15.5	8	5.2	20.8	29	16	8

Ordering data

Ordering data		Cable length	Weight	Part no.	Type
Operating voltage		[m]	[g]		
Socket type C, narrow, 2-pin – open cable end, 2-wire					
24 V DC	<ul style="list-style-type: none"> • Signal status indication • Protective circuit 	2.5	120	8032623	NEBV-C1SW2L-P-K-2.5-N-LE2-S9
		5	230	8032626	NEBV-C1SW2L-P-K-5-N-LE2-S9
		10	440	8032627	NEBV-C1SW2L-P-K-10-N-LE2-S9
Socket type C, narrow, 4-pin – open cable end, 3-wire					
0 ... 230 V AC/DC	-	2.5	125	8032628	NEBV-C1SW3-K-2.5-N-LE3-S9
		5	235	8032629	NEBV-C1SW3-K-5-N-LE3-S9
Ordering data – Accessories				Part no.	Type
	Inscription labels for attaching to a cable with diameter 5 ... 8 mm	11x20 mm		33361	KM-BZ

Ordering data – Modular product system

Ordering table		Conditions	Code	Enter code
Module no.	8003577			
Connecting cable	Connecting cables for valves		NEBV	NEBV
Connection technology on the left, field device side	Socket type C, narrow design		-C1S	-C1S
Cable outlet on the left	Angled		W	W
Number of pins/wires on the left	2-pin		2	
	3-pin		3	
Display	None	[2]		
	Signal status LED	[1]	L	
Circuitry	None	[2]		
	Integrated protective circuit	[1]	-P	
Cable characteristic	Standard		-K	-K
Cable length [m]	0.5 ... 30		-...	
Cable designation	Without inscription label holder		-N	-N
	Open end		-LE	-LE
Number of pins/wires on the right	2-pin	[1]	2	
	3-pin	[2]	3	
Degree of protection, electrical system	IP65/IP67		-S9	-S9

[1] L, -P, 2 Only with number of pins/wires, left = 2-pin
 [2] 3 Only with number of pins/wires, left = 3-pin